

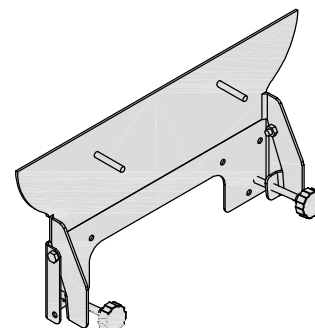
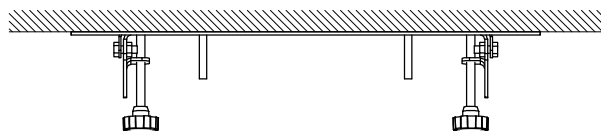
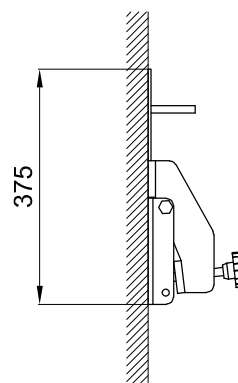
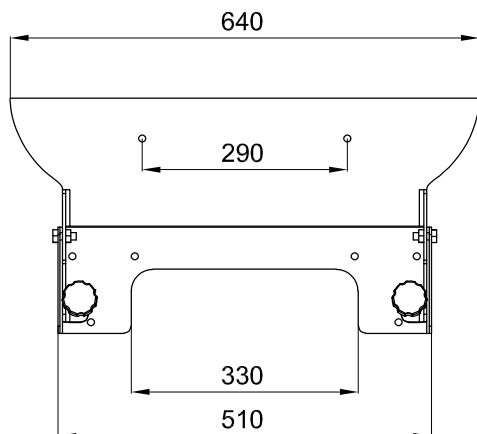
Sanitana

CARACTERÍSTICAS DO MODELO:

- MATERIAL: AÇO INOXIDÁVEL AISI 304
- PROVIDA DE PARAFUSOS DE FIXAÇÃO
- GARANTIA DE 5 ANOS
- PESO: 8.0KG

PEÇA:

- DESCRIÇÃO: SUPORTE PAREDE PRÉ-REGULÁVEL
- SERIE: MOBILIDADE REDUZIDA
- VERSÃO: INOX
- REF: S10105739601100

CROQUIS COM DIMENSÕES GERAIS E DE LIGAÇÃO:**COMPONENTES INCLUÍDOS:****PRODUTOS ASSOCIADOS:**

- LAVATÓRIO MOBIL 65 - REF: H8137140000951

Sanitana

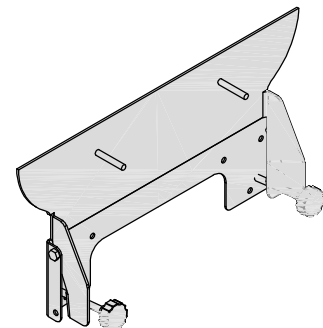
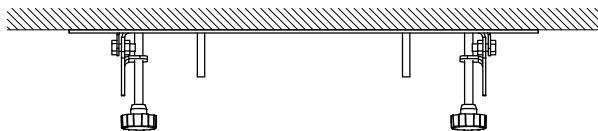
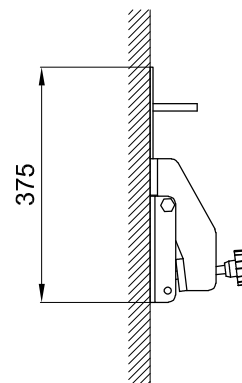
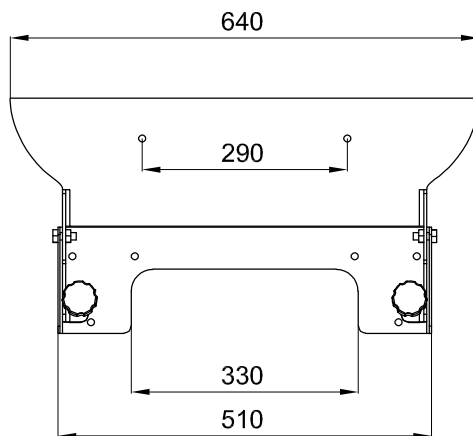
FEATURES OF THE MODEL:

- MATERIAL: STAINLESS STEEL AISI 304
- PROVIDED WITH FIXING SCREWS
- 5 YEARS WARRANTY
- WEIGHT: 8.0KG

PART:

- DESCRIPTION: WALL PRE-REGULATED SUPPORT
- SERIES: REDUCED MOBILITY
- VERSION: STAINLESS STEEL
- REF: S10105739601100

SKETCH WITH DIMENSIONS AND CONNECTIONS:



INCLUDED COMPONENTS:

RELATED PRODUCTS:

- WASHBASIN MOBIL 65 - REF: H8137140000951

FORM N°: SDRW-000049010-b

The products presented follow technical specifications Sanitana SA. The dimensions are approximate. For installation as only to be considered the dimensions of the part to be removed applied. We reserve the right to make technical changes to improve the functionality of our products without notice.