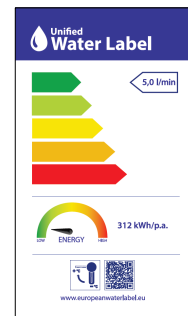


Sanitana

CARACTERÍSTICAS DO MODELO:

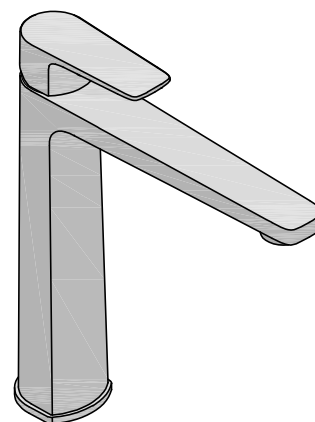
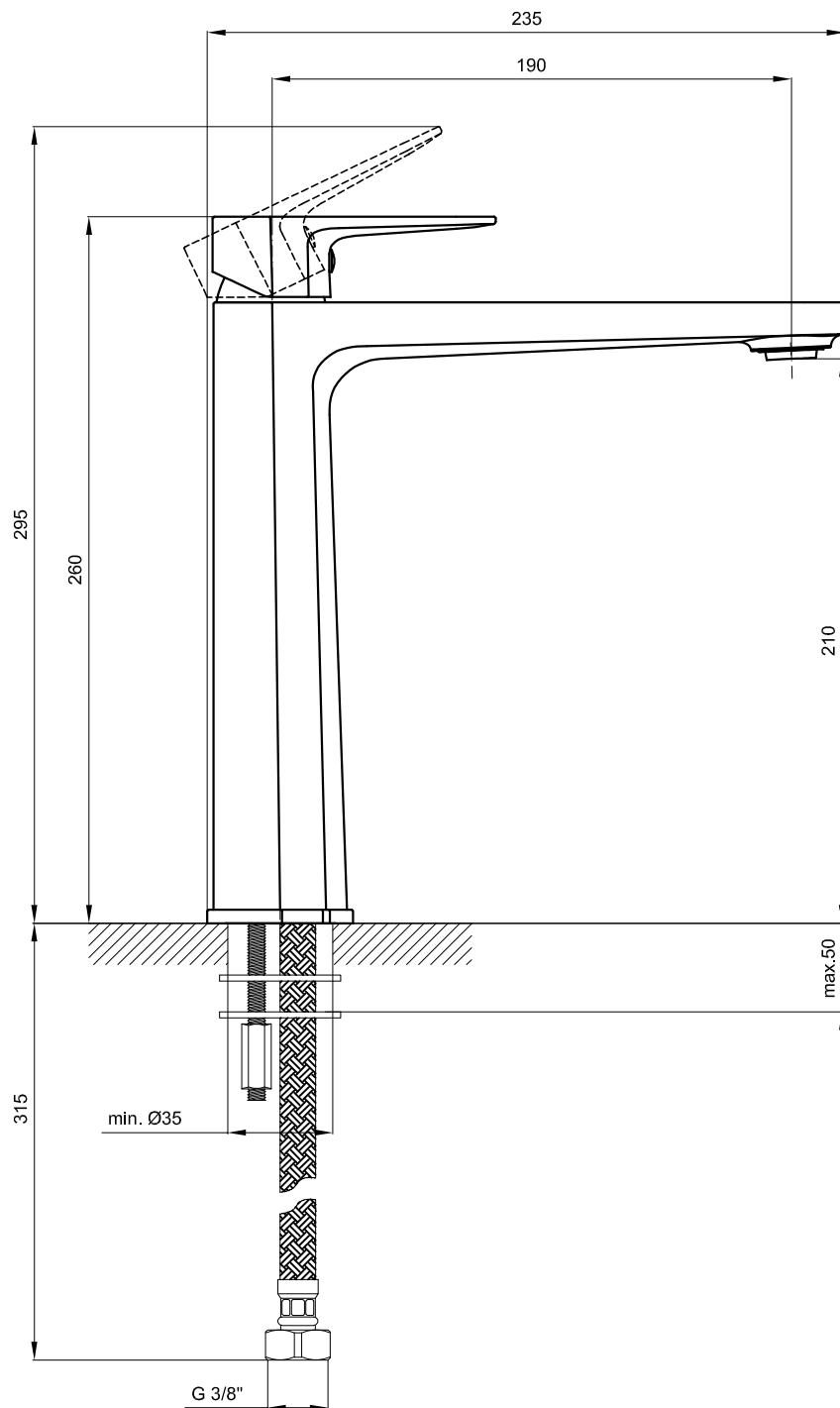
- MATERIAL: LATÃO CROMADO
- CARTUCHO ECOLÓGICO Ø 35mm
- COM DISCOS CERÂMICOS
- GARANTIA DE 5 ANOS
- PESO: 2.25 KG



PEÇA:

- DESCRIÇÃO: TORNEIRA DE LAVATÓRIO
- SERIE: SUN
- VERSÃO: MONOCOMANDO COM CANO ALTO
- REF: S50204512412600

CROQUIS COM DIMENSÕES GERAIS E DE LIGAÇÃO:



COMPONENTES INCLUÍDOS:

- FLEXÍVEIS DE ALIMENTAÇÃO DE 3/8"

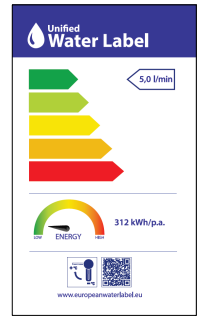
PRODUTOS ASSOCIADOS:

- VÁLVULAS: (OPCIONAL, VER CATÁLOGO GERAL)
- LAVATÓRIOS: (OPCIONAL, VER CATÁLOGO GERAL)

Sanitana

FEATURES OF THE MODEL:

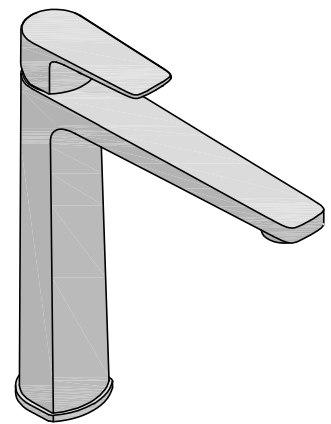
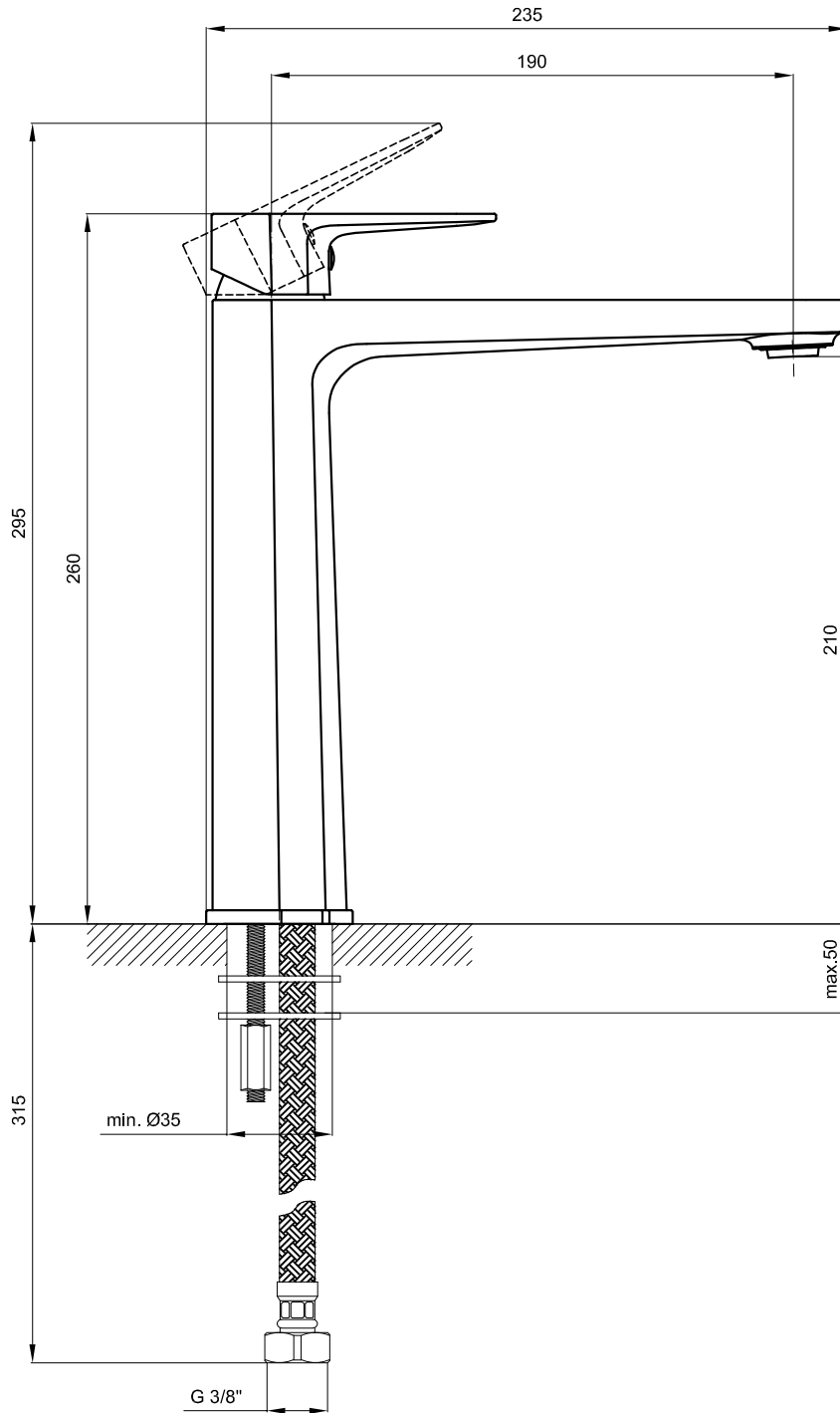
- MATERIAL: BRASS CHROME
- ECOLOGIC CARTRIDGE INSIDE Ø 35mm
- WITH CERAMIC DISCS
- 5 YEARS WARRANTY
- WEIGHT: 2.25 KG



PART:

- DESCRIPTION: WASHBASIN MIXER
- SERIES: SUN
- VERSION: SINGLE LEVER HIGH SPOUT
- REF: S50204512412600

SKETCH WITH DIMENSIONS AND CONNECTIONS:



INCLUDED COMPONENTS:

- 3/8" FLEXIBLE CONNECTING HOSES

RELATED PRODUCTS:

- WASTE VALVE: (OPTIONAL, CONSULT GENERAL CATALOGUE)
- WASHBASINS: (OPTIONAL, CONSULT GENERAL CATALOGUE)

FORM N°: SDRW-000040295-a

The products presented follow technical specifications by Sanitana SA. Dimensions provided are indicative only. For custom installation, should only be considered the dimensions measured directly on the part to be installed. We reserve the right to make technical changes to improve the functionality of our products without prior notice.